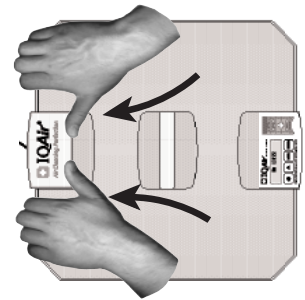


# Replacing Your HyperHEPA® Filter

## I. Opening and Closing the Air Cleaner Housing

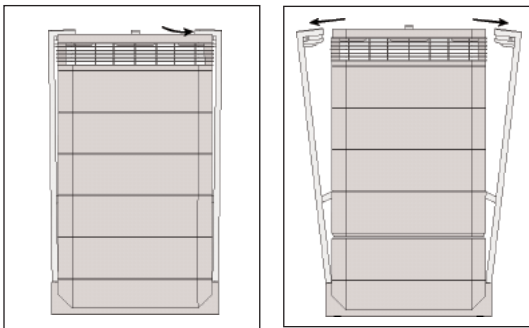
The stacked housing elements are held together by two locking arms that hook into the diffuser. To open the system follow the steps below.

1. Disconnect the IQAir Device from the power supply before attempting to open the system.
2. Press the first locking arm outward, using both thumbs as shown. Press just hard enough to release the arm from its snap-in position in the diffuser. Disengage the other arm in the same way.
3. Pull both locking arms evenly outwards until they snap into place and remain open. Access to all filters is now possible (to change a specific filter, refer to the appropriate section below).
4. To close the housing, simply push the locking arms inwards simultaneously until they snap back into the housing.

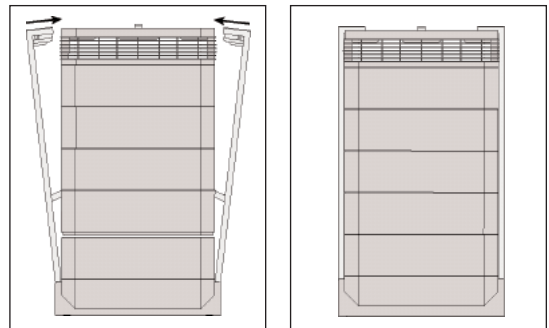


Used filters can normally be added to the regular garbage for disposal. Only when the air cleaner has been exposed to regulated substances may these filters have to be disposed of as hazardous waste.

### Opening

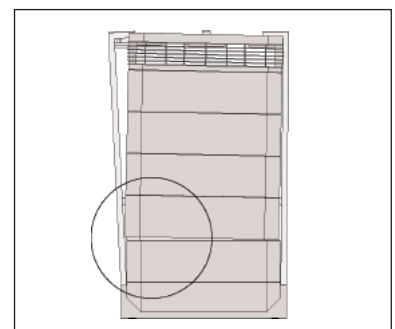


### Closing

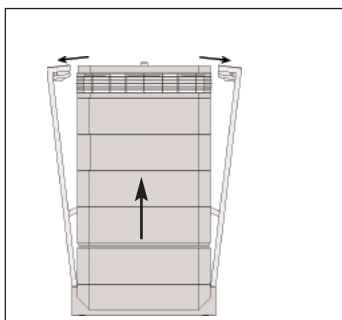


### Troubleshooting when closing the Housing

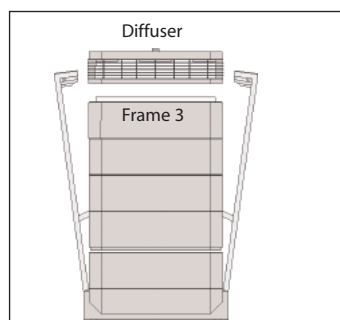
If the IQAir® Device does not close properly, the upper part of the system may be offset against the lower part. To solve this problem, simply open both locking arms again and push both locking arms in simultaneously.



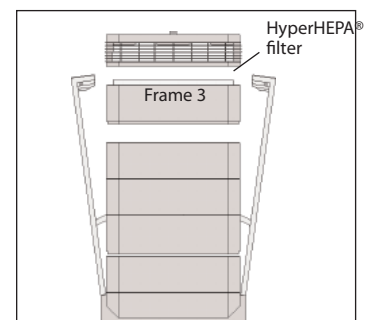
## II. Replacing the HyperHEPA® Filter (Filter 3)



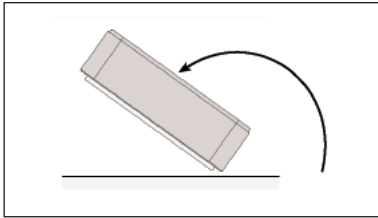
1. Open the locking arms, making sure they are fully extended outward. For details, refer to the section I.



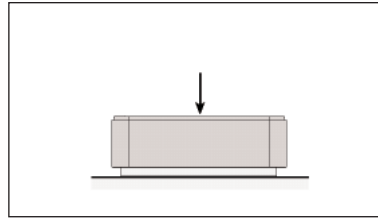
2. Opening the arms will release the top housing modules. Removing the diffuser will reveal the HyperHEPA filter inside Frame 3.



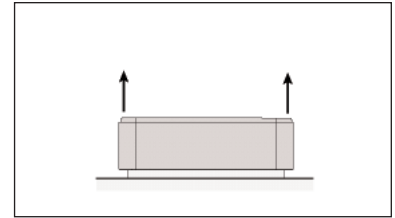
3. Remove Frame 3 containing the HyperHEPA filter.



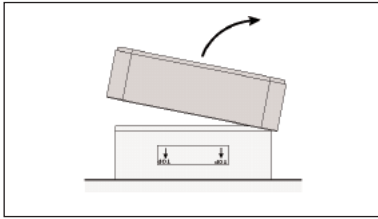
4. Turn the frame upside down.



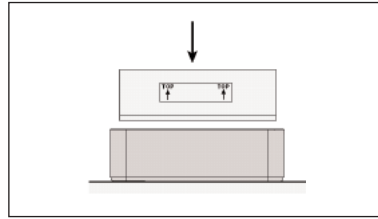
5. With the palm of the hand, press down on the filter and loosen the frame.



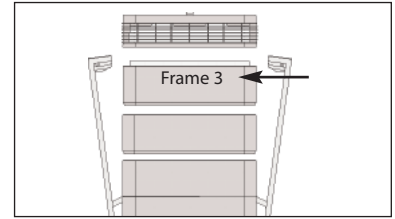
6. Lift the frame from the filter.



7. Dispose of the used filter by placing it into the plastic bag in which the new filter is supplied.\*



8. Turn the frame around and insert the new filter. Ensure that the arrows on the filter label point upward.



9. Put frame 3 back into the housing and reposition the diffuser. For closing refer to the section I.

\* If harmful substances are filtered, disposal of the used filters may be subject to local regulations or laws.

### III. Resetting the new Filter Menu

The New Filter Menu allows you to reset the filter life counter for a newly replaced filter. As a result, the appropriate filter life LED on the control panel will be reset to green and the hour count in the Remaining Filter Life Menu will be reset to the full life span of the new filter.

Resetting the filter life counter will also make the "Replace Filter" warning disappear from the main display window.

1. To reach the Filter Life Reset function from the main display window, press the **Menu** key seven times.
2. Press and hold the **Enter** key until the flashing cursor appears.
3. Press the **▲** key to select the filter that has been replaced.
4. Press the **Enter** key to confirm that the selected filter has been replaced. To safeguard against inadvertently resetting the life of the wrong filter, the selection needs to be reconfirmed. The filter life LED for the appropriate filter is now flashing red.

**Note:** If the wrong filter has been selected, or if you wish to exit the enter mode, simply press the **Menu** key. This leaves the Filter Life Reset unaffected.

5. To confirm the filter change and exit the Filter Life Reset display window, press the **Enter** key.
6. Upon successful reset of the filter life, the new remaining filter life (taking the currently selected fan speed and programmed filter load indices into account) will be displayed.

